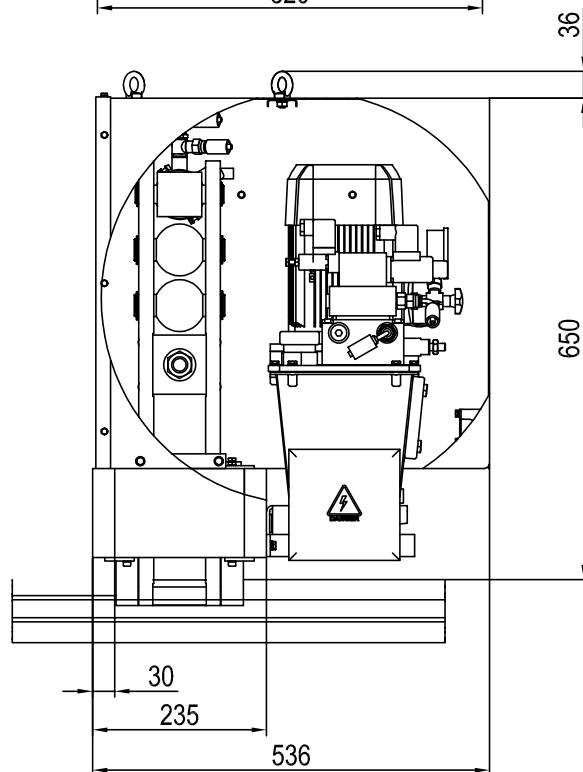


* = IT DEPENDS ON THE TYPE OF RAIL



CODE	HOLDING FORCE	WEIGHT kg
DBSZ06-100-A	100 kN	135

FORCES AND DIMENSIONS INDICATED ARE REFERRED TO MAXIMUM HEAD WIDTH OF RAIL 120 mm.
FOR RAIL WITH HEAD WIDTH GREATER THAN 120 mm PLEASE CONTACT OUR TECHNICAL OFFICE

NOTE 1

Rail hardness between 200 and 270 HB
($\sigma = 70 \div 90 \text{ daN/mm}^2$)

In case of different values we must be informed at order because this could affect the rail clamp functioning.

NOTE 2

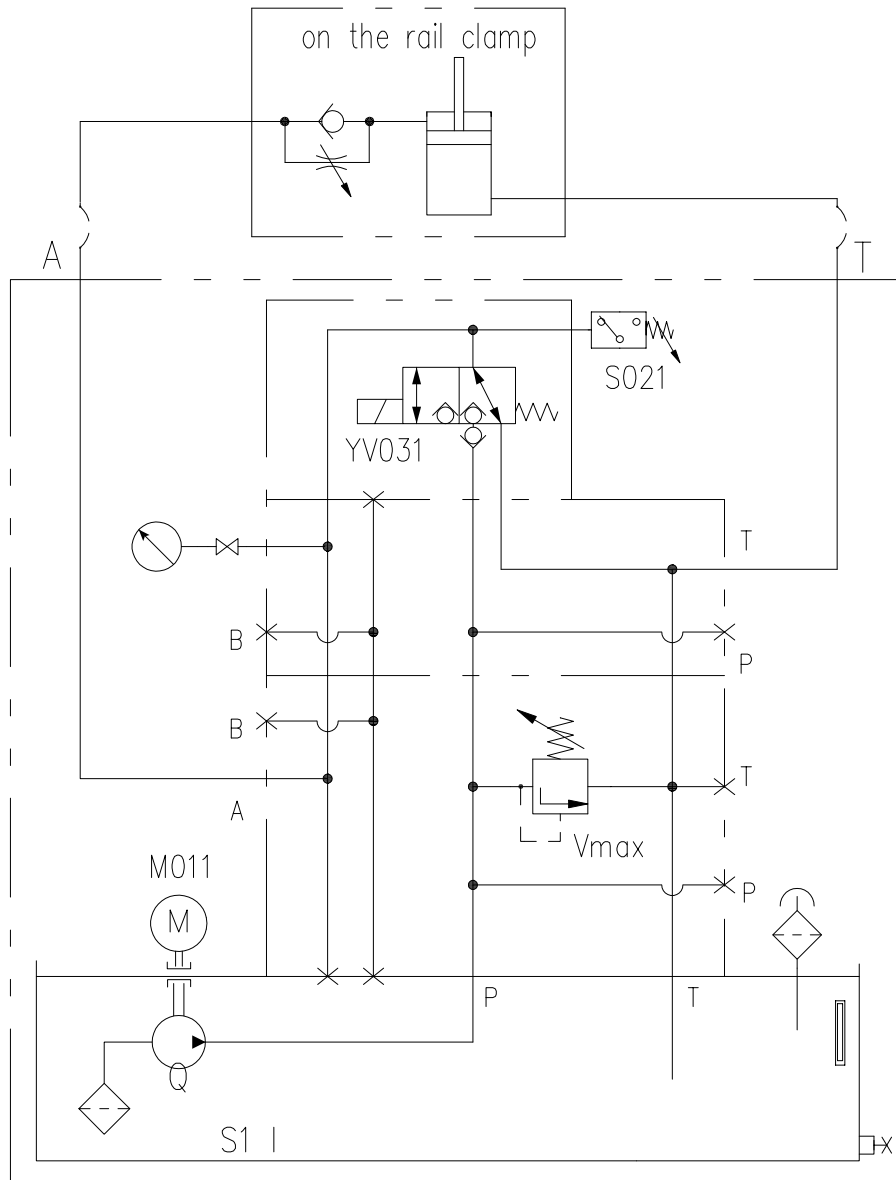
Hydraulic unit supplied together with the rail clamp, for features see HPU data sheet

NOTE 3

CONNECTION SCREWS CLASS :10.9 ARE TO BE FORESEEN

All dimensions in mm

Alterations reserved without notice

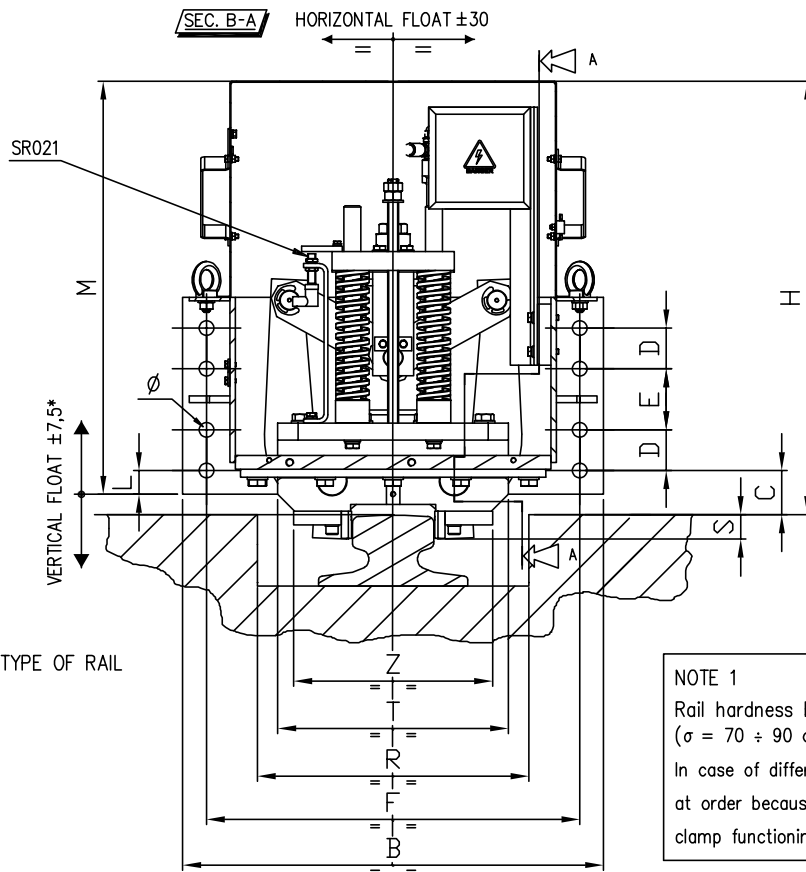


SPECIFICATIONS ELECTROVALVE
YV031 *
24V DC – 30W

CALIBRATION		
Type of brake	Pressure relife valve	Pressure switch
DBSZ06-100	20 MPa	17 MPa
DBSZ11-200	22 MPa	19 MPa
DBSZ21-400	21 MPa	18 MPa
DBSZ31-600	23 MPa	20 MPa
DBSZ41-800	21 MPa	18 MPa

*OTHER TENSIONS ON REQUEST

HYDRAULIC UNIT	TYPE	MOTOR SPECIFICATIONS	GEAR PUMP	TANK
	RAIL CLAMP	M011 *	Q	S1
SCI-DBSZ06	DBSZ06-100 DBSZ11-200 DBSZ21-400 DBSZ31-600	0.75 kW / 400V-50Hz	Q = 2.4 l/min	6 l
SCI-DBSZ10	DBSZ41-800	1.5 kW / 400V-50Hz	Q = 5 l/min	10 l

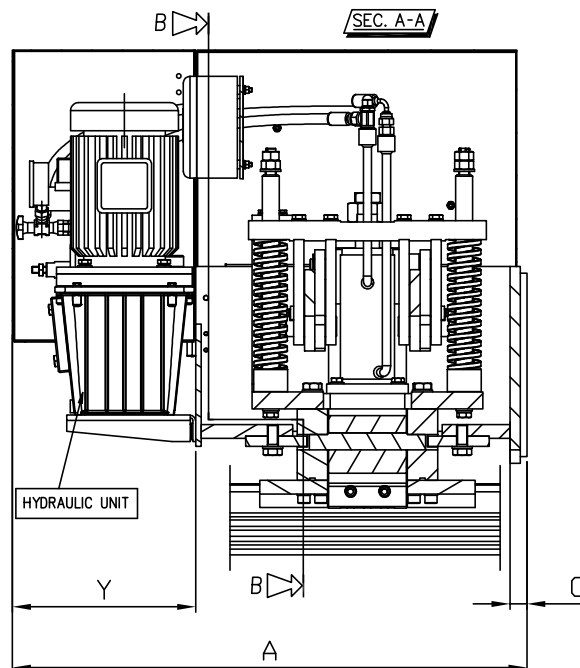


* = IT DEPENDS ON THE TYPE OF RAIL

NOTE 1

Rail hardness between 200 and 270 HB
 $(\sigma = 70 \div 90 \text{ daN/mm}^2)$

In case of different values we must be informed at order because this could affect the the rail clamp functioning.


NOTE 2

Hydraulic unit supplied together with the rail clamp, for features see HPU data sheet

FORCES AND DIMENSIONS INDICATED ARE REFERRED TO MAXIMUM HEAD WIDTH OF RAIL 120 mm.
 FOR RAIL WITH HEAD WIDTH GREATER THAN 120 mm PLEASE CONTACT OUR TECHNICAL OFFICE
 THE RAIL CLAMP WILL BE SUPPLIED COMPLETE WITH HYDRAULIC UNIT

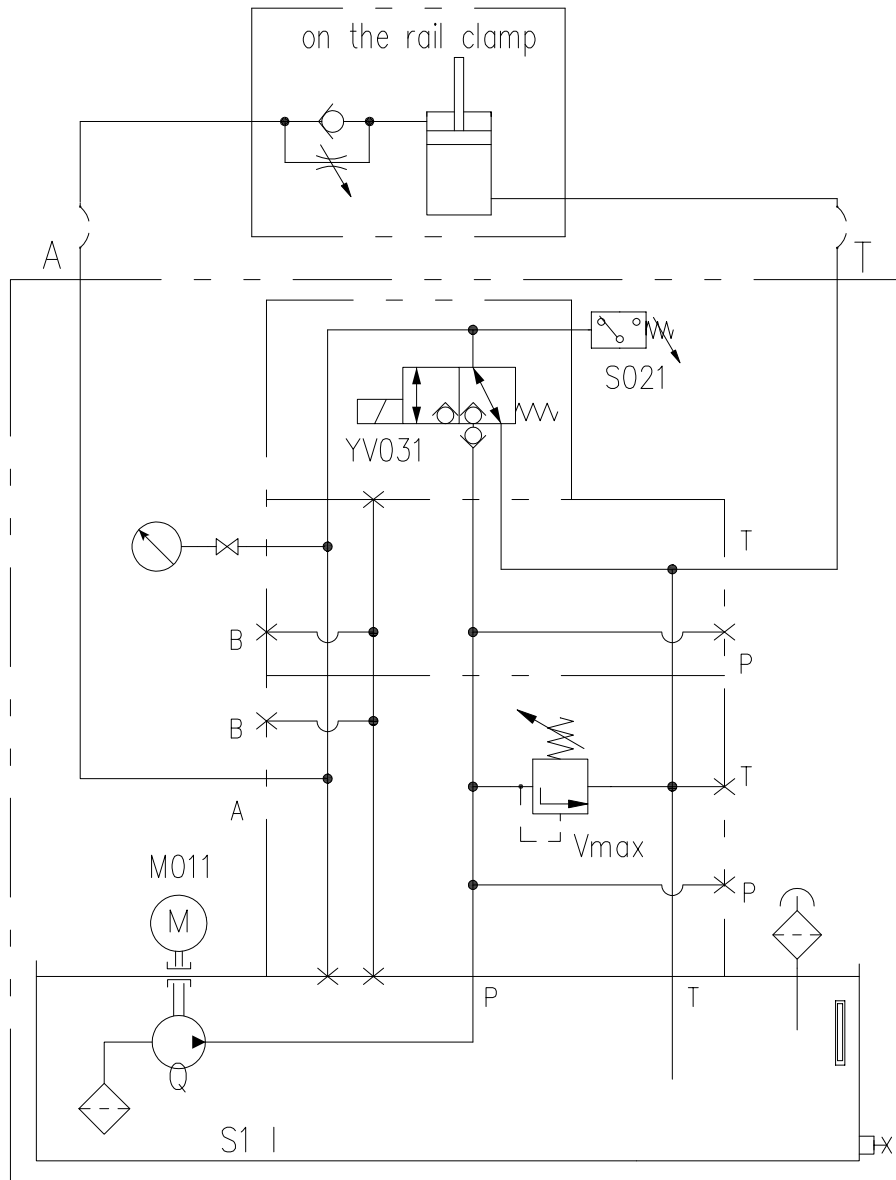
CODE	HOLDING FORCE	A	B	C	D	E	F	G	H	L	M	N	R (●)	S (●)
DBSZ11-200-A	200 kN	760	620	65	60	90	550	25	640	35	610	290	315	40
DBSZ21-400-A	400 kN	810	680	65	80	120	610	30	640	35	610	360	315	40
DBSZ31-600-A	600 kN	1000	810	90	90	150	720	35	730	50	690	440	345	40
DBSZ41-800-A	800 kN	1140	840	100	110	170	750	45	800	50	750	500	350	40

CODE	T	Y	Z	ϕ	screws	WEIGHT kg
DBSZ11-200-A	340	275	295	22	M20	280
DBSZ21-400-A	430	270	270	26	M24	420
DBSZ31-600-A	490	280	325	33	M30	730
DBSZ41-800-A	500	285	330	39	M36	1130

(●) REDUCIBLE DIMENSIONS ON REQUEST
 CONNECTION SCREWS CLASS :10.9 ARE TO BE FORESEEN

All dimensions in mm

Alterations reserved without notice

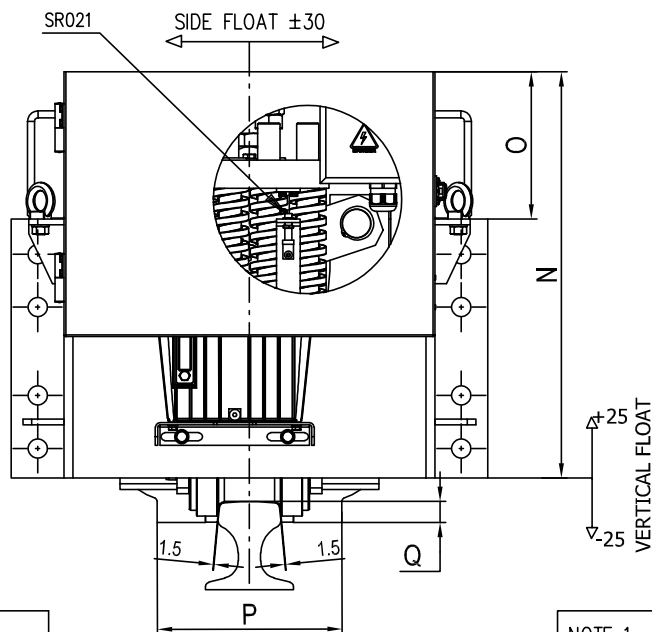


SPECIFICATIONS ELECTROVALVE
YV031 *
24V DC – 30W

CALIBRATION		
Type of brake	Pressure relife valve	Pressure switch
DBSZ06-100	20 MPa	17 MPa
DBSZ11-200	22 MPa	19 MPa
DBSZ21-400	21 MPa	18 MPa
DBSZ31-600	23 MPa	20 MPa
DBSZ41-800	21 MPa	18 MPa

*OTHER TENSIONS ON REQUEST

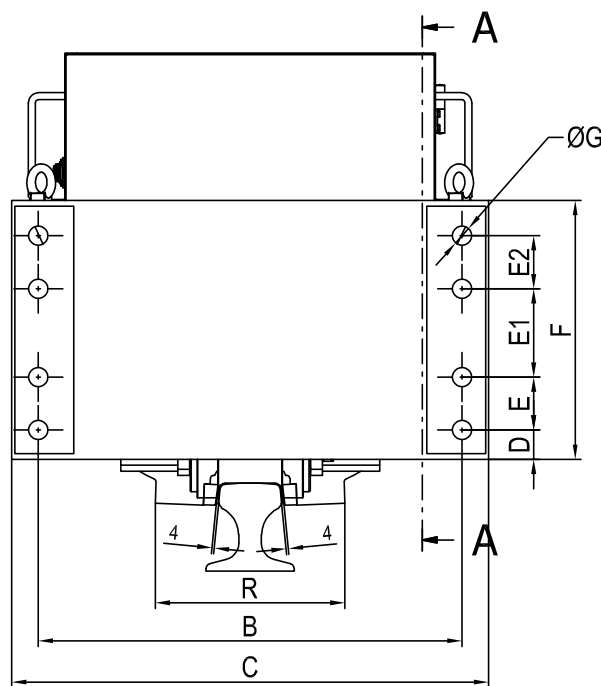
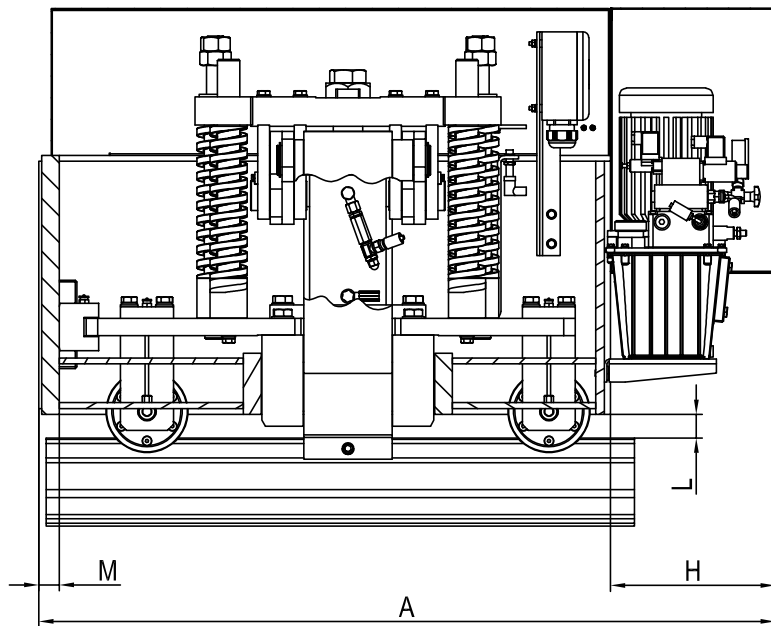
HYDRAULIC UNIT	TYPE	MOTOR SPECIFICATIONS	GEAR PUMP	TANK
	RAIL CLAMP	M011 *	Q	S1
SCI-DBSZ06	DBSZ06-100 DBSZ11-200 DBSZ21-400 DBSZ31-600	0.75 kW / 400V-50Hz	Q = 2.4 l/min	6 l
SCI-DBSZ10	DBSZ41-800	1.5 kW / 400V-50Hz	Q = 5 l/min	10 l



NOTE 2
Hydraulic unit supplied together with the rail clamp, for features see HPU data sheet

NOTE 1
Rail hardness between 200 and 270 HB
($\sigma = 70 \div 90 \text{ daN/mm}^2$)
In case of different values we must be informed at order because this could affect the rail clamp functioning.

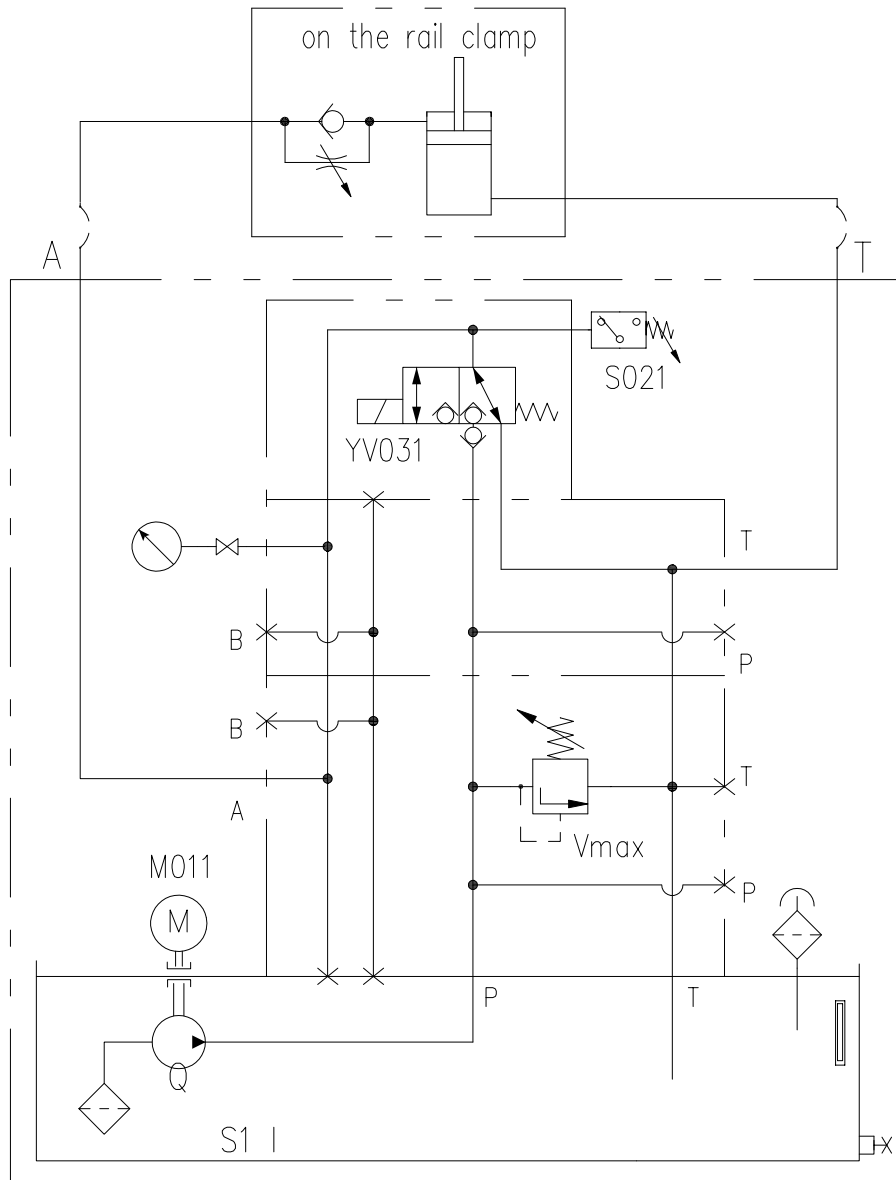
A-A



FORCES AND DIMENSIONS INDICATED ARE REFERRED TO MAXIMUM HEAD WIDTH OF RAIL 120 mm.
FOR RAIL WITH HEAD WIDTH GREATER THAN 120 mm PLEASE CONTACT OUR TECHNICAL OFFICE

CODE	HOLDING FORCE	A	B	C	D	E	E1	E2	F	G	H	L	M
DBSZ-SH11-200-A	200 kN	1075	610	680	35	60	90	60	290	22	270	20	30
DBSZ-SH21-400-A	400 kN	1097	630	700	35	80	100	100	360	26	270	30	30
DBSZ-SH31-600-A	600 kN	1255	720	810	50	90	150	90	440	33	280	40	35
DBSZ-SH41-800-A	800 kN	1385	750	840	50	110	170	110	500	39	285	50	45
CODE	N	O	P	Q	R	Screws	Weight kg						
DBSZ-SH11-200-A	620	300	230	36	238	M20	380						
DBSZ-SH21-400-A	610	250	270	35	280	M24	550						
DBSZ-SH31-600-A	690	250	314	36.5	322	M30	855						
DBSZ-SH41-800-A	750	250	322	36.5	330	M36	1240						

CONNECTION SCREWS CLASS :10.9 ARE TO BE FORESEEN
All dimensions in mm
Alterations reserved without notice



SPECIFICATIONS ELECTROVALVE
YV031 *
24V DC - 30W

CALIBRATION		
Type of brake	Pressure relife valve	Pressure switch
DBSZ06-100	20 MPa	17 MPa
DBSZ11-200	22 MPa	19 MPa
DBSZ21-400	21 MPa	18 MPa
DBSZ31-600	23 MPa	20 MPa
DBSZ41-800	21 MPa	18 MPa

*OTHER TENSIONS ON REQUEST

HYDRAULIC UNIT	TYPE	MOTOR SPECIFICATIONS	GEAR PUMP	TANK
	RAIL CLAMP	M011 *	Q	S1
SCI-DBSZ06	DBSZ06-100 DBSZ11-200 DBSZ21-400 DBSZ31-600	0.75 kW / 400V-50Hz	Q = 2.4 l/min	6 l
SCI-DBSZ10	DBSZ41-800	1.5 kW / 400V-50Hz	Q = 5 l/min	10 l