

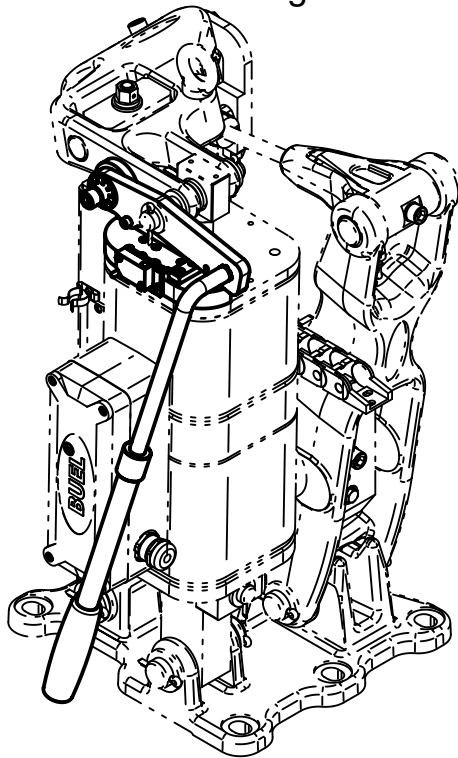
*) Average static coefficient of friction for standard material combination

The coefficient of friction is subject to fluctuations depending on operational-, material- and ambient-conditions!
 This must be considered during the selection!

All dimensions in mm
 Alterations reserved without notice

Weight without thruster: ca. 99 kg			Thruster type		BL 35-5 (Weight: 16 kg)			BL 50-6 (Weight: 16 kg)			BL 80-6 (Weight: 21 kg)		
Disc-Ø d ₂	Friction-Ø d ₁	Max. hub-Ø d ₄	Contact force in N		6845			10750			20500		
			e	k ₁	*M _{Brmax.} (Nm) at μ = 0,4	*M _{Brmin.} (Nm) at μ = 0,4	*M _{Brmin.} (% from M _{Brmax.})	*M _{Brmax.} (Nm) at μ = 0,4	*M _{Brmin.} (Nm) at μ = 0,4	*M _{Brmin.} (% from M _{Brmax.})	*M _{Brmax.} (Nm) at μ = 0,4	*M _{Brmin.} (Nm) at μ = 0,4	*M _{Brmin.} (% from M _{Brmax.})
355	275	135	137,5	72,5	755	378	50						
400	320	180	160	95	875	438	50	1375	825	60	2625	1313	50
450	370	230	185	120	1015	508	50	1590	954	60	3035	1518	50
500	420	280	210	145	1150	575	50	1805	1083	60	3445	1723	50
560	480	340	240	175	1315	658	50	2065	1239	60	3935	1968	50
630	550	410	275	210	1505	753	50	2365	1419	60	4510	2255	50
710	630	490	315	250	1725	863	50	2710	1626	60	5165	2583	50

right hand execution



left hand execution

