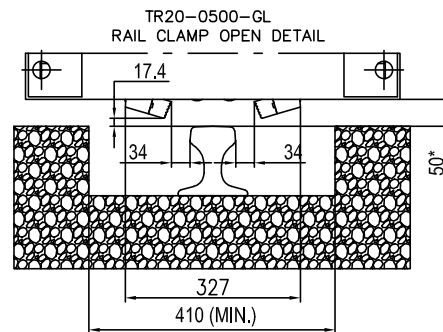
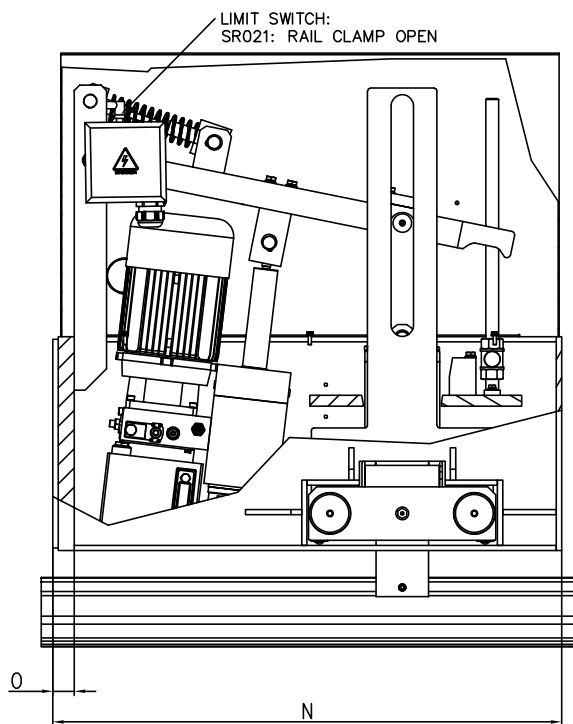


NOTE 2
Hydraulic unit supplied together with the rail clamp, for features see HPU data sheet



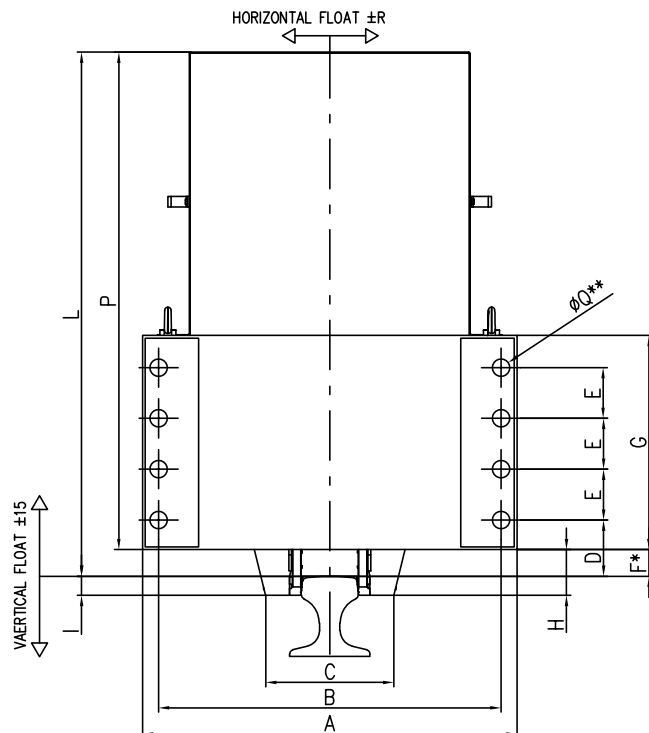
(*) VARIABLE WITH VERTICAL FLOAT

TYPE	HOLDING FORCE (kN)	A	B	C	D	E	F	G	H
BSZR-GL500-A	500	700	640	240	105	95	50	400	86
		I	L	M	N	Q **		R	WEIGHT (kg)
		35	980	955	40	N°8 Ø33 (M30)		±30	550

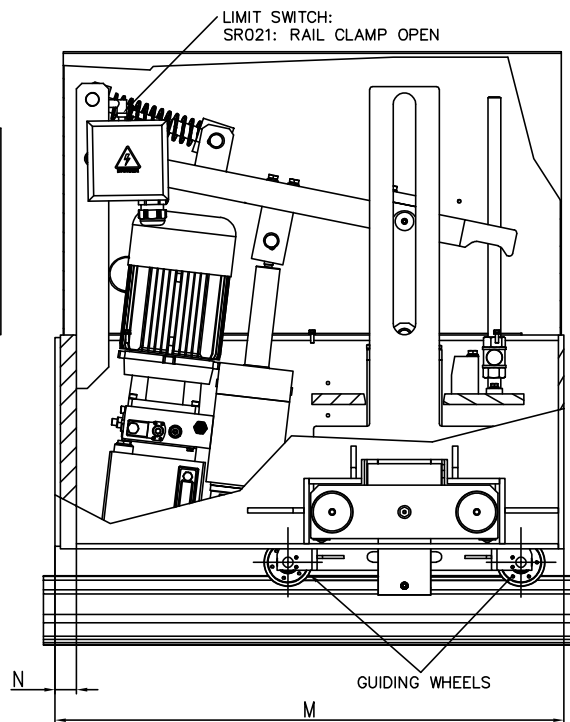
NOTE 1
Rail hardness between 200 and 270 HB
($\sigma = 70 \div 90 \text{ daN/mm}^2$)
In case of different values we must be informed at order because this could affect the rail clamp functioning.

FORCES AND DIMENSIONS INDICATED ARE REFERRED TO MAXIMUM HEAD WIDTH OF RAIL 120 mm.
FOR RAIL WITH HEAD WIDTH GREATER THAN 120 mm PLEASE CONTACT OUR TECHNICAL OFFICE

(**) CONNECTION SCREWS CLASS :10.9 ARE TO BE FORESEEN
All dimensions in mm
Alterations reserved without notice



NOTE 2
Hydraulic unit supplied together with the rail clamp, for features see HPU data sheet



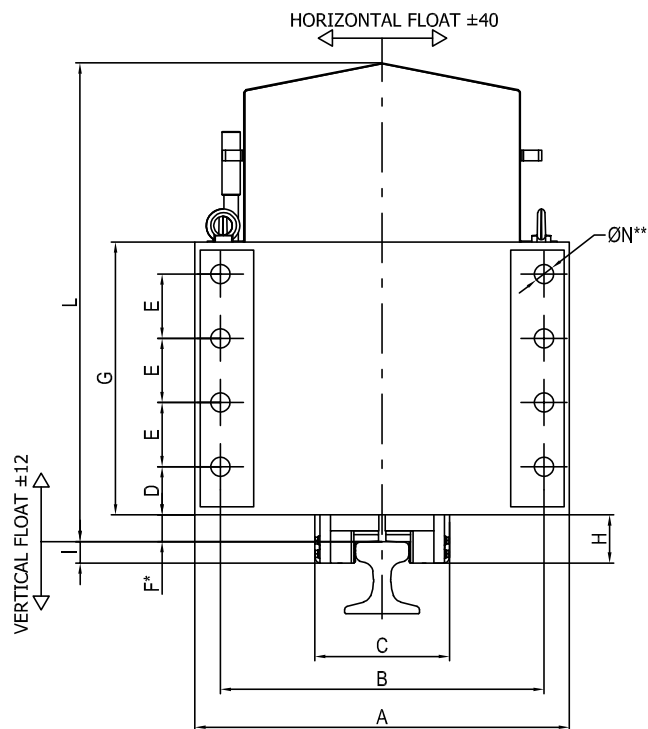
(*) VARIABLE WITH VERTICAL FLOAT

TYPE	HOLDING FORCE (kN)	A	B	C	D	E	F	G	H
BSZR-RG500-A	500	700	640	240	105	95	50	400	86
		I	L	M	N	Q **		R	WEIGHT (kg)
		35	980	955	40	N°8 $\phi 33$ (M30)		± 40	550

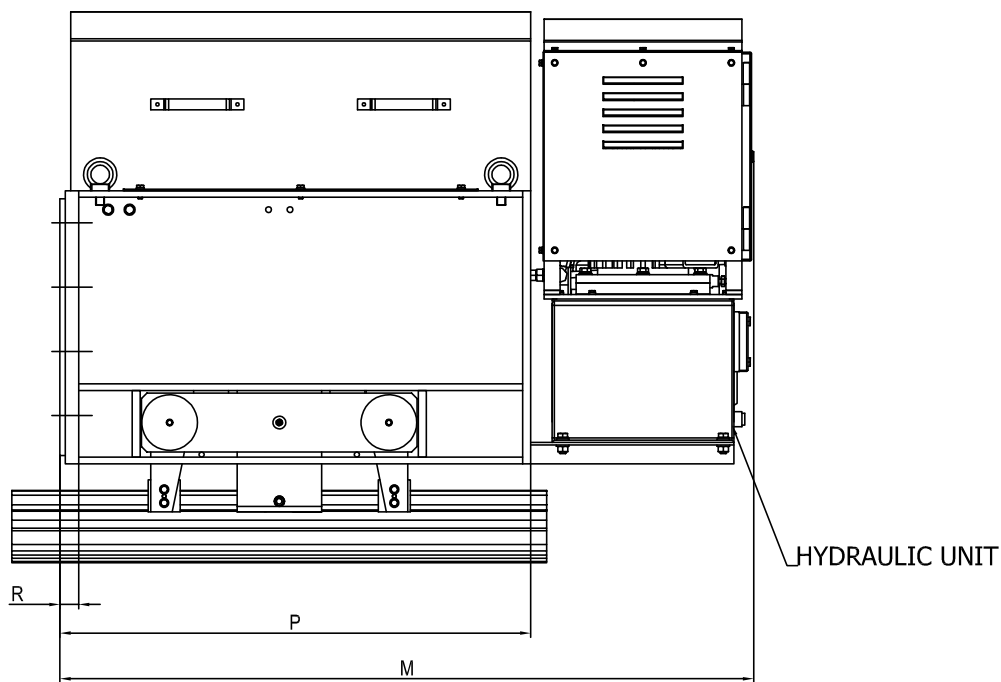
NOTE 1
Rail hardness between 200 and 270 HB
($\sigma = 70 \div 90 \text{ daN/mm}^2$)
In case of different values we must be informed at order because this could affect the rail clamp functioning.

FORCES AND DIMENSIONS INDICATED ARE REFERRED TO MAXIMUM HEAD WIDTH OF RAIL 120 mm.
FOR RAIL WITH HEAD WIDTH GREATER THAN 120 mm PLEASE CONTACT OUR TECHNICAL OFFICE

(**) CONNECTION SCREWS CLASS :10.9 ARE TO BE FORESEEN
All dimensions in mm
Alterations reserved without notice



NOTE 2
 Hydraulic unit supplied together with the rail clamp, for features see HPU data sheet



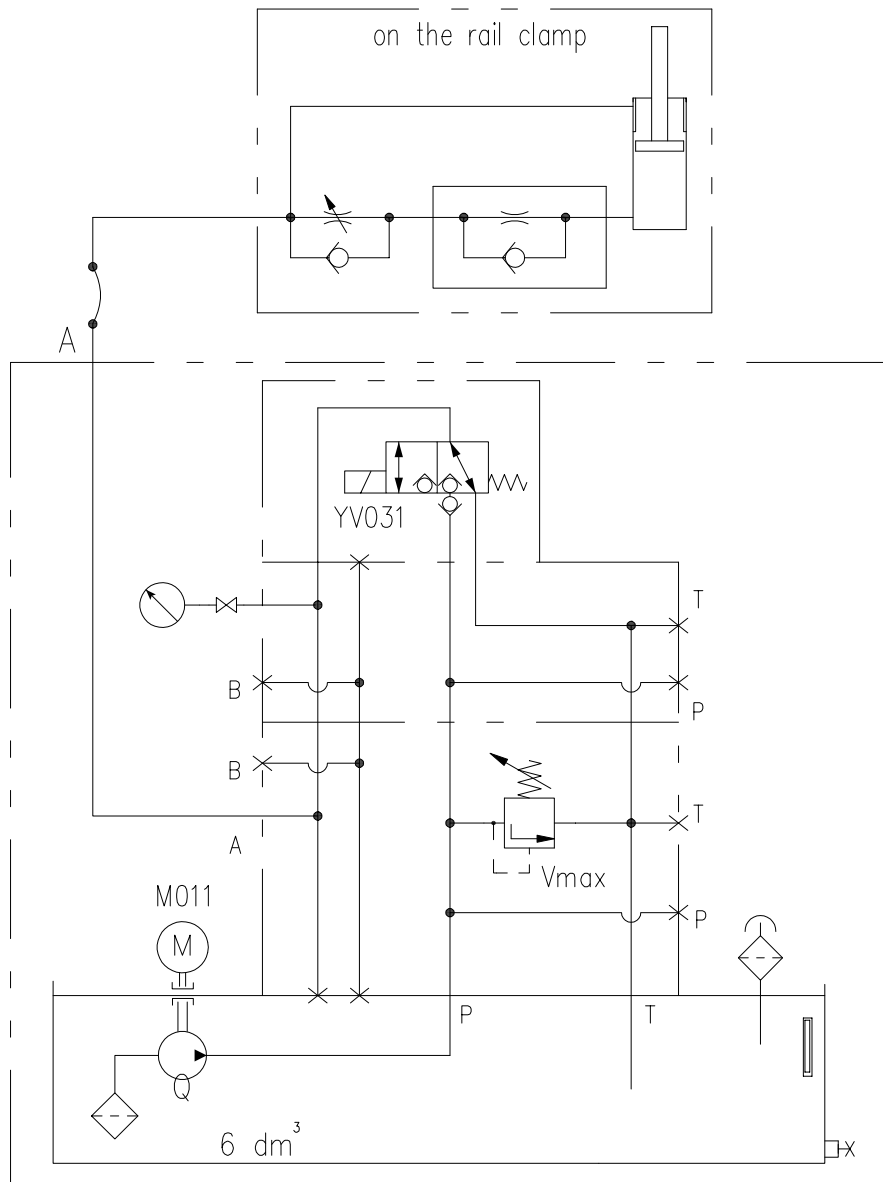
(*) VARIABLE WITH VERTICAL FLOAT

TYPE	HOLDING FORCE (kN)	A	B	C	D	E	F	G	H	I	L	M	N**	P	R
DBSZR40-0750-A	750	700	605	252	105	120	50	510	90	40	895	1300	N°8 $\text{Ø}36$ (M33)	880	35
DBSZR50-1100-A	1100	770	655	322	105	130	50	550	90	47	915	1510	N°8 $\text{Ø}42$ (M39)	1090	40
TYPE	WEIGHT (kg)														
DBSZR40-0750-A	750														
DBSZR50-1100-A	1100														

NOTE 1
 Rail hardness between 200 and 270 HB
 $(\sigma = 70 \div 90 \text{ daN/mm}^2)$
 In case of different values we must be informed at order because this could affect the rail clamp functioning.

FORCES AND DIMENSIONS INDICATED ARE REFERRED TO MAXIMUM HEAD WIDTH OF RAIL 120 mm.
 FOR RAIL WITH HEAD WIDTH GREATER THAN 120 mm PLEASE CONTACT OUR TECHNICAL OFFICE

(**) CONNECTION SCREWS CLASS :10.9 ARE TO BE FORESEEN
 All dimensions in mm
 Alterations reserved without notice



No.	Item
M011	Electric motor
Q	Gear pump
Vmax	Pressure relief valve
YV031	Electrovalve

TYPE	* M011 (kW)	Q (l/min) (cm ³ /rev)	Vmax (MPa)	* YV031	P	Weight (kg)
SCI-DBSZA06	0,75 400V-50Hz	2,3 1,6	20	24V DC-30W	G1/4"	28

*** = OTHER FEEDING VOLTAGE ON REQUEST**
HYDRAULIC UNIT FOR ALL TYPE OF SELF BLOCKING RAIL CLAMPS